

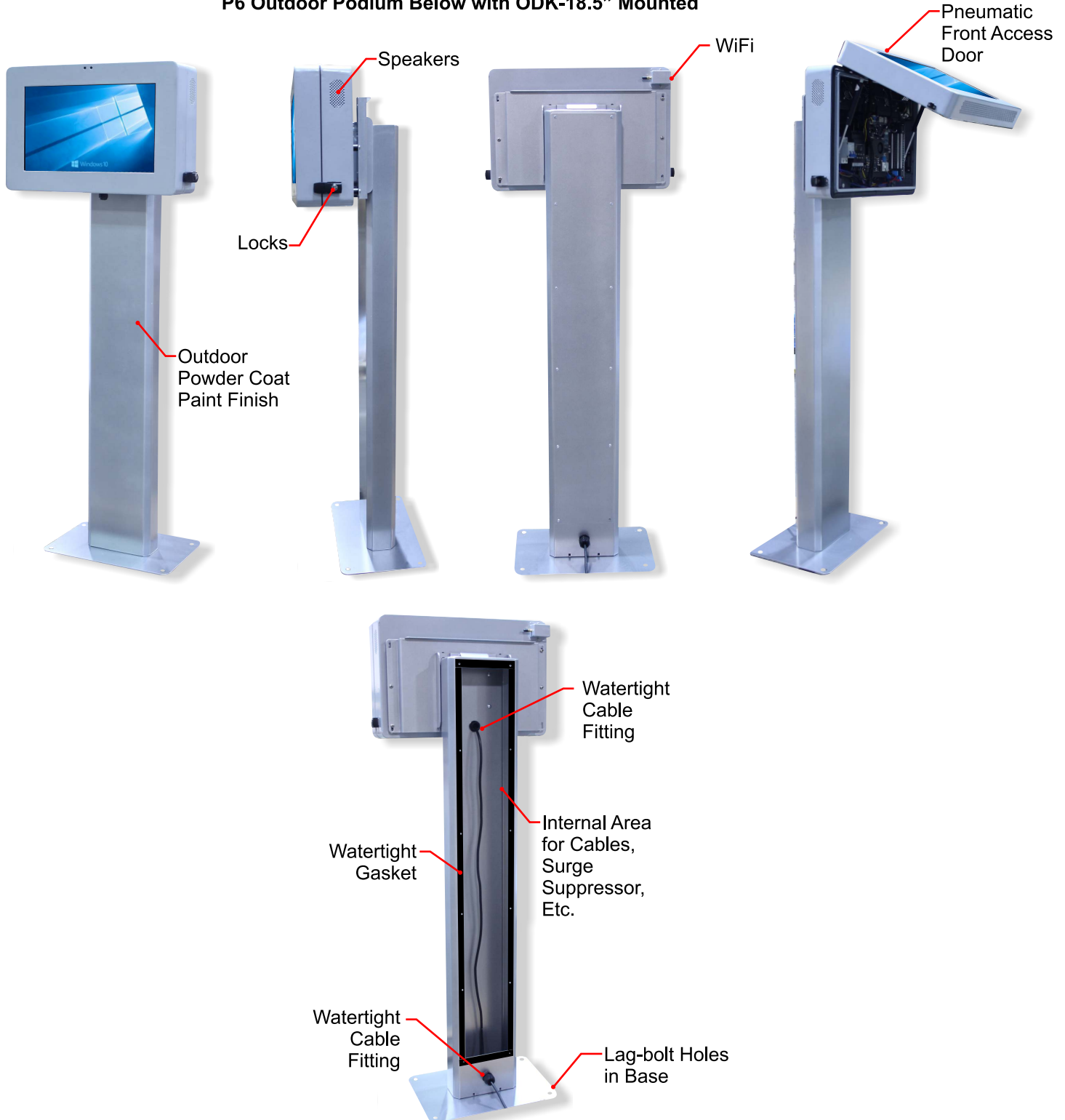
P6-Outdoor Series

Outdoor Kiosk Pedestal with Outdoor Kiosk ODK

Overview

The outdoor Podium P6 Series equipped with the ODK Outdoor Touch Kiosk is a perfect combo for applications requiring a self-standing kiosk for all-weather, outdoor use. The P6 can mount the 18.5", 21.5", and 27" Outdoor Kiosk (ODK) Series.

P6 Outdoor Pedestal Below with ODK-18.5" Mounted

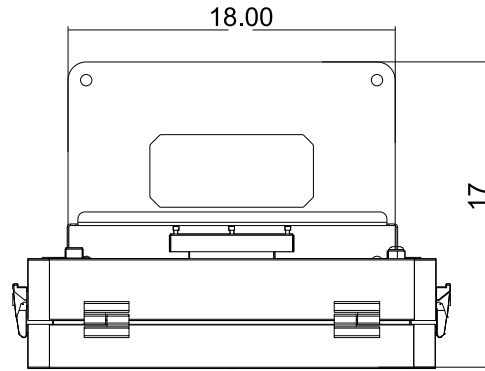


P6-Outdoor Series

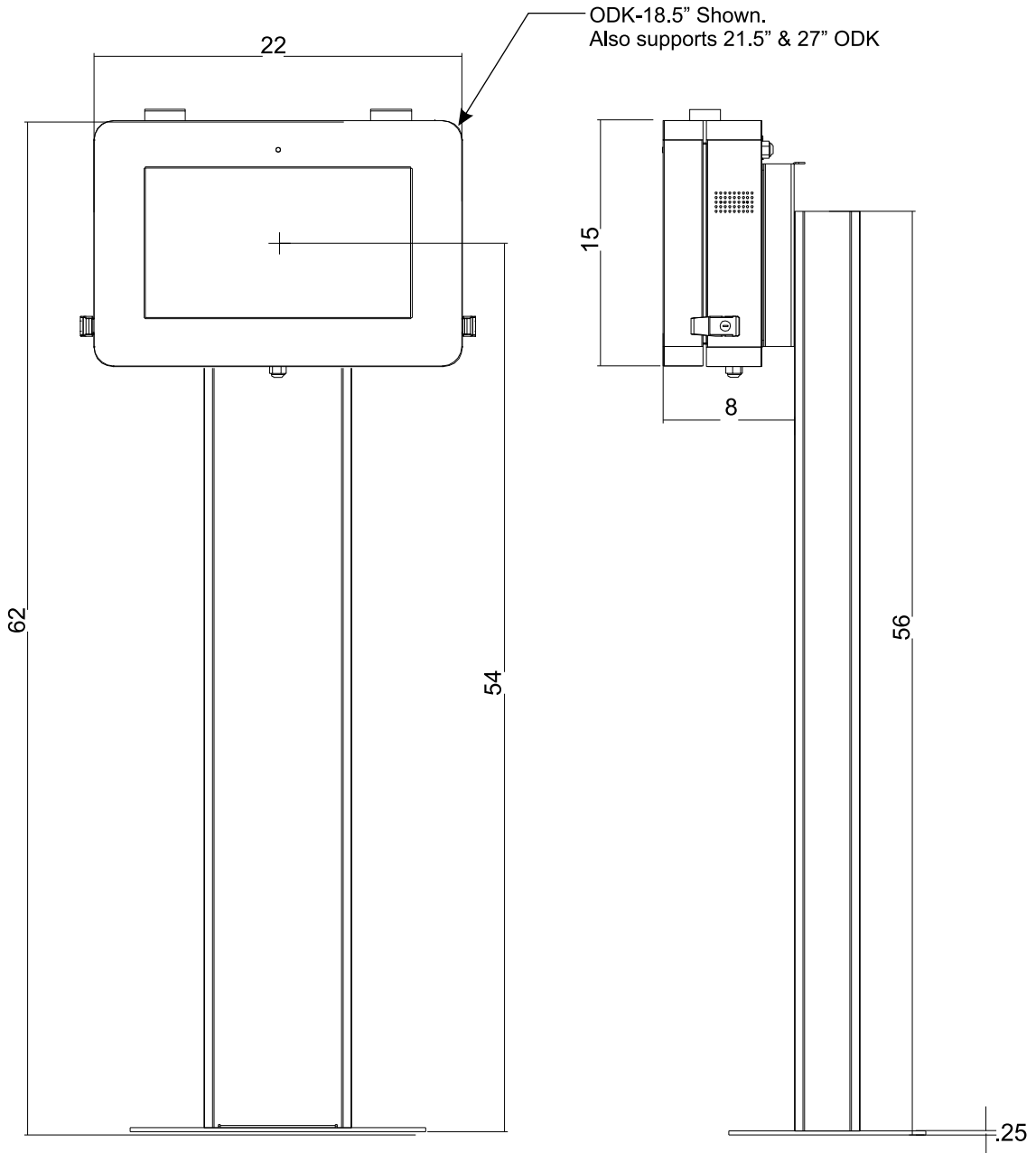
Outdoor Kiosk Pedestal with Outdoor Kiosk ODK

Dimensions

Dimensions in inches



- Suitable for outdoor use
- Outdoor powdercoat paint finish
- Water-tight cable fittings
- Gaskets on rear cover and fastening holes
- Suitable for 18.5", 21.5", and 27" Outdoor Kiosk (ODK) sizes

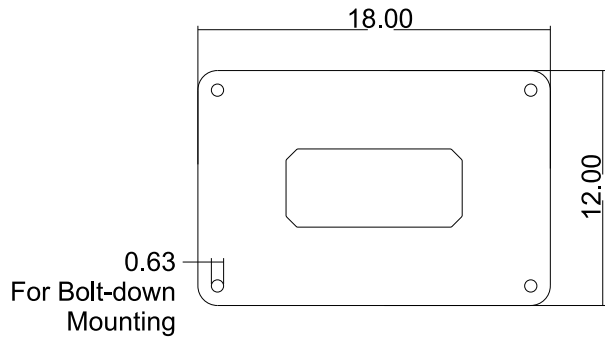


P6-Outdoor Series

Outdoor Kiosk Pedestal Only

Dimensions

Dimensions in inches



- Suitable for outdoor use
- Outdoor powdercoat paint finish
- Water-tight cable fittings
- Gaskets on rear cover and fastening holes
- Suitable for 18.5", 21.5", and 27" Outdoor Kiosk (ODK) sizes

