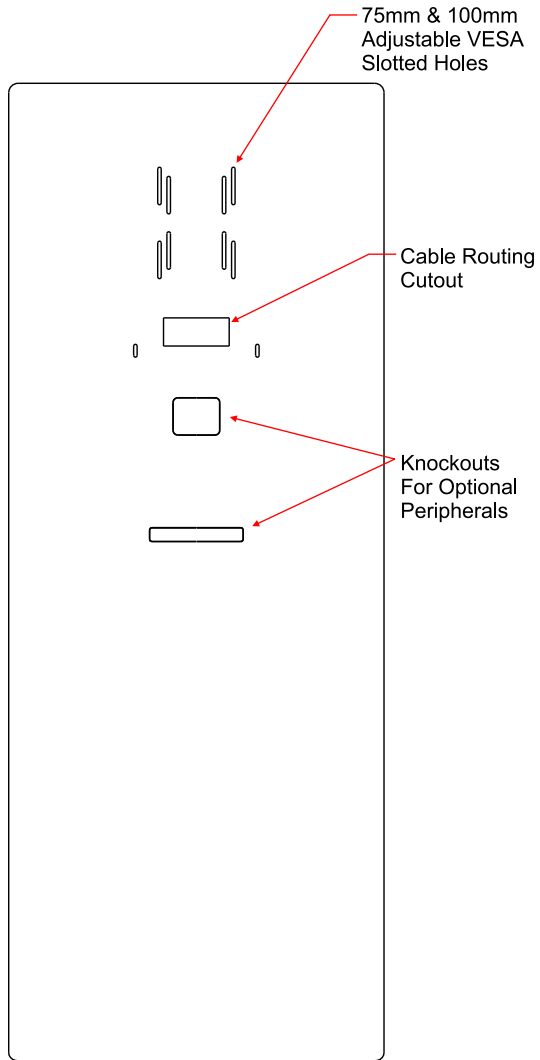
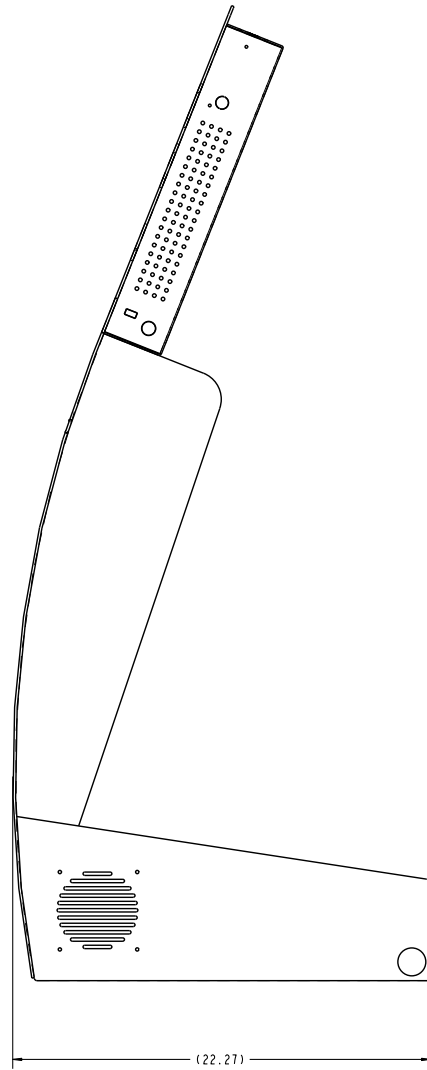


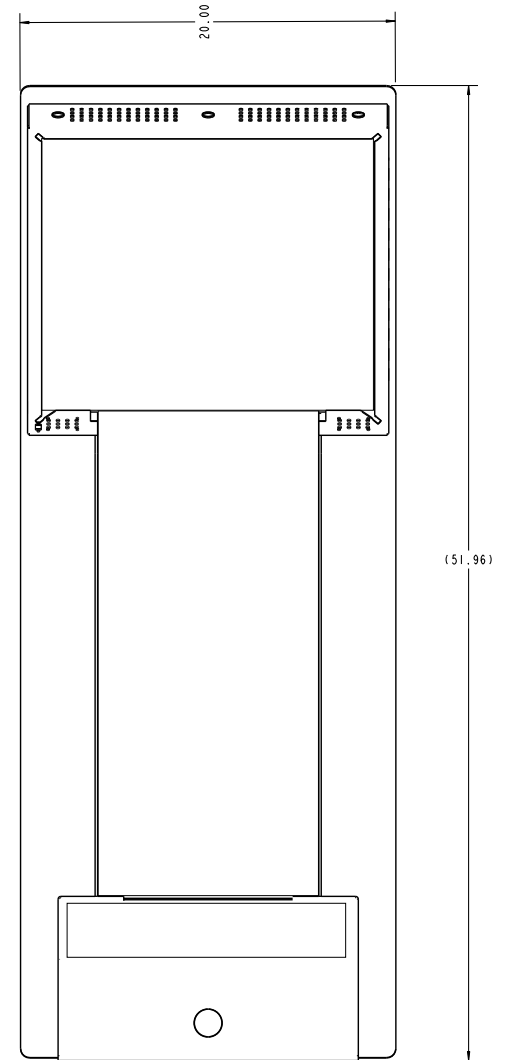
# Specter -24 Enclosure Dimensions



FRONT



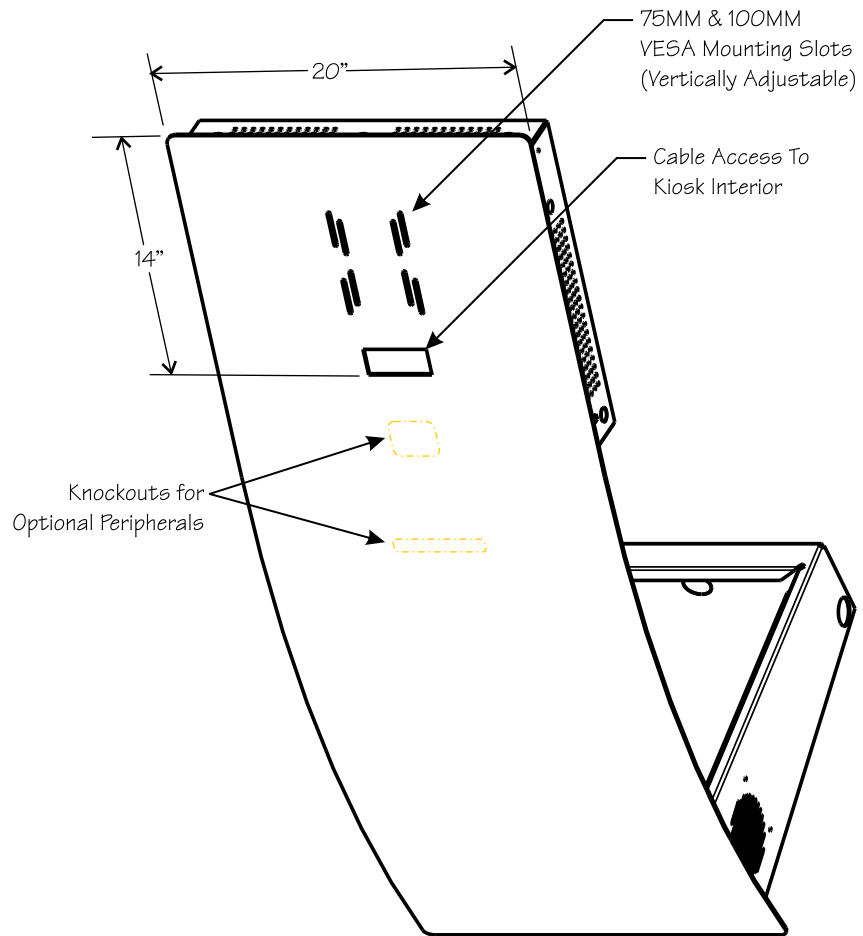
SIDE



REAR

# SPECTER KIOSK WELDMENT DISPLAY MOUNTING AREA

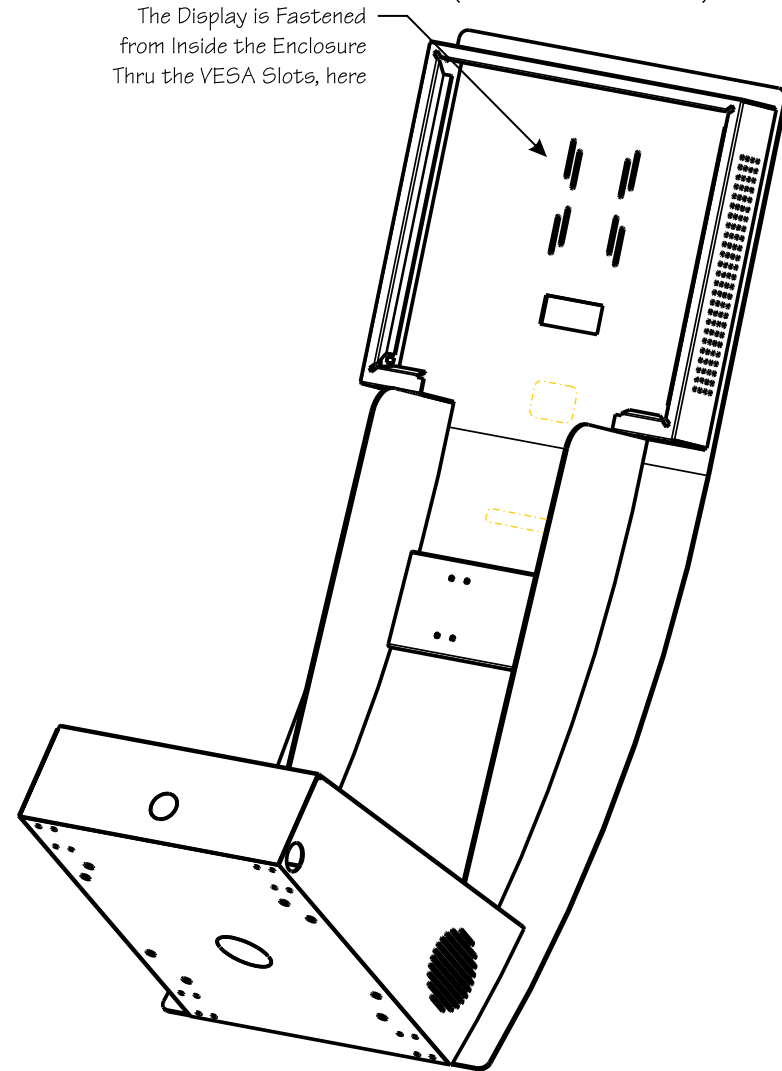
FRONT



REAR

(All Doors Removed)

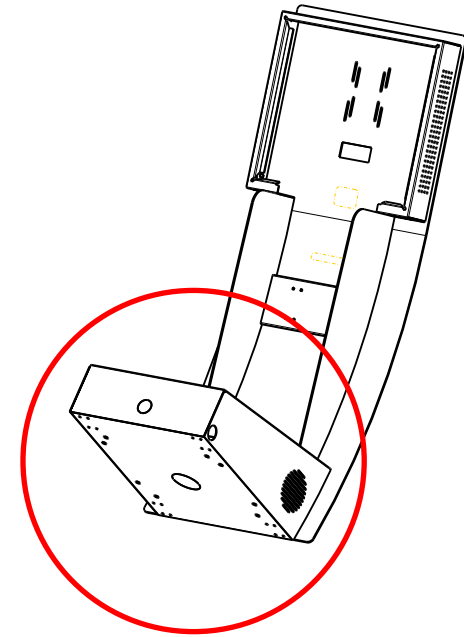
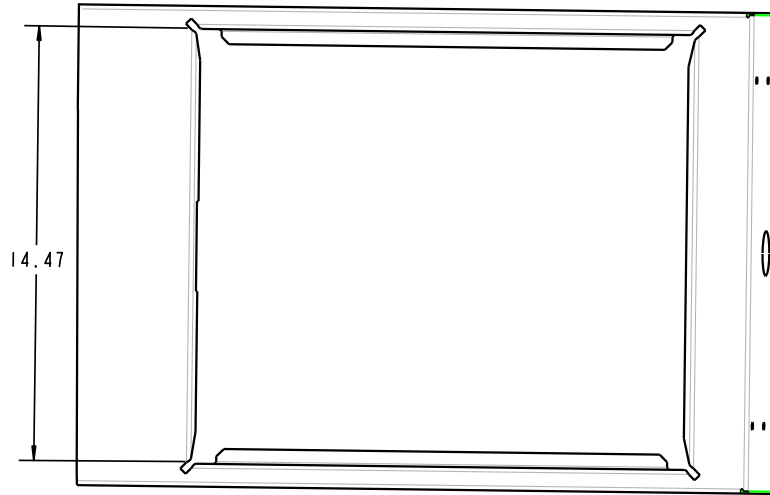
The Display is Fastened from Inside the Enclosure Thru the VESA Slots, here



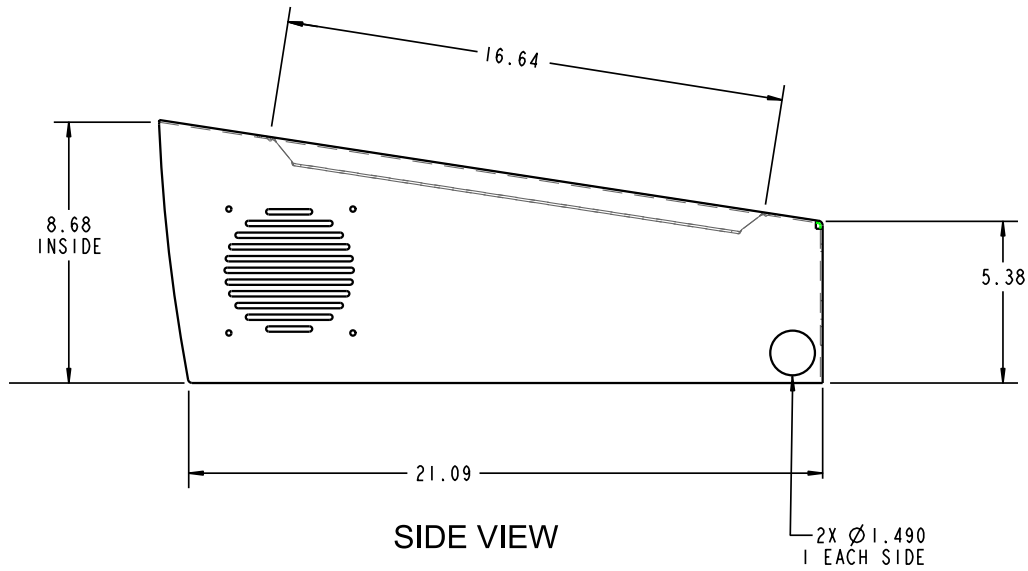
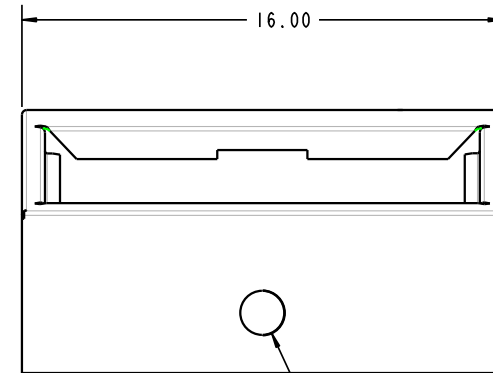
SCALE 0.125

# Specter Base Compartment Dimensions

TOP DOWN VIEW



REAR VIEW



$\varnothing$  1.500, LASER CUT  
KNOCKOUT, LEAVE ATTACHMENT  
TOP AND BOTTOM